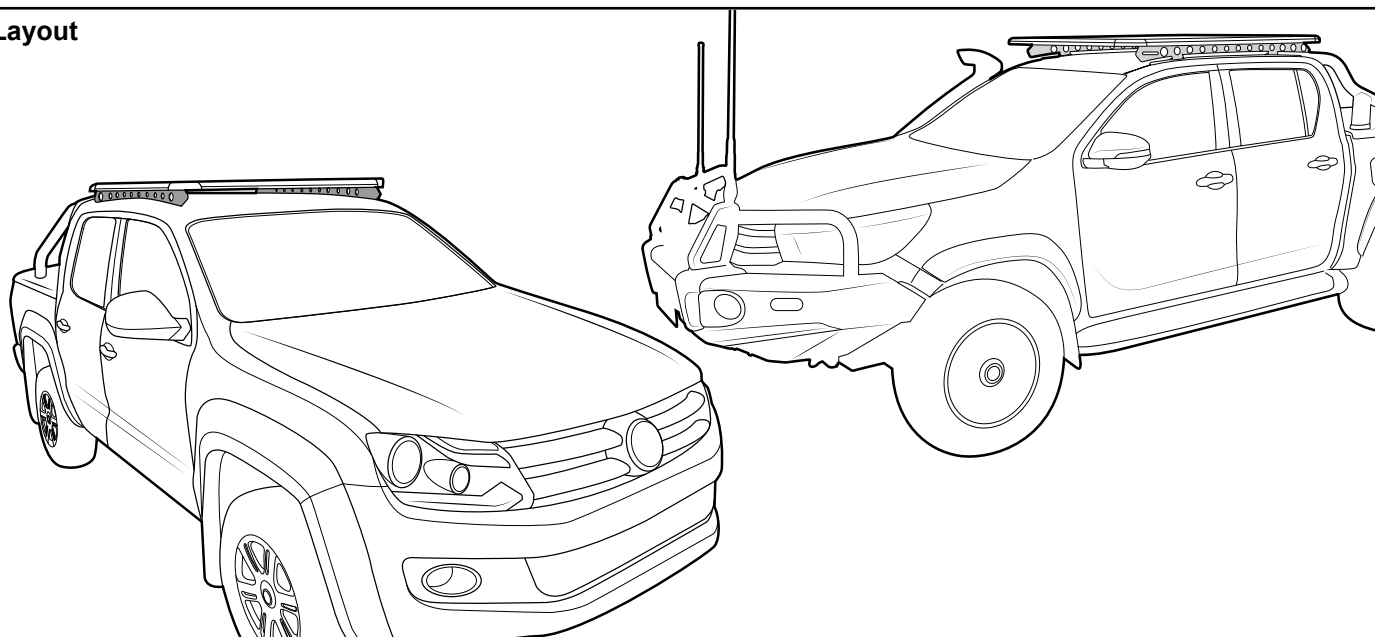


RHINO-RACK

RVAB1

Important: Please read these instructions carefully prior to installation. Please refer to your fitting instruction to ensure that the Backbone System is installed in the correct location. Check the contents of kit before commencing fitment and report any discrepancies. Place these instructions in the vehicle's glove box after installation is complete.

Layout



Maximum load carrying capacity: 100kg / 220lbs

Important Information

1. Check Part No./Kit is correct
2. Read through instruction before installing
3. Fit roof rack accessory
4. Check and recheck all fasteners are secure

Maximum carrying capacity: 100kg (220lbs) including the weight of the rack system 25kg (55lbs). **Static Load Rating:** 320kg/ 705lbs

Please refer to your vehicle manufacturers handbook for maximum carrying capacity. Always use the lower of the two figures. Load must be evenly distributed over the entire basket.

Warning: Do not attempt to fit the rack system to your vehicle unless you fully understand these fitting instructions. Please direct any questions regarding fitting to the dealer from where the roof racks were purchased.

Use only non-stretch fastening ropes or straps.

Recommendations: It is essential that all bolt connections be checked after driving a short distance when you first install your roof racks. Bolt connections should be checked again at regular intervals (once a week is enough, depending on road conditions, usage, loads and distances travelled). You should also check the roof racks each time they are re-fitted. Always make sure to fasten your load securely. Please also ensure that all loads are evenly distributed and that the centre of gravity is kept as low as possible and must be entirely contained within the extents of the roof racks.

Rack System must be removed when putting vehicle through an automatic car wash.

Caution: The handling characteristics of the vehicle changes when you transport a load on the roof. For safety reasons we recommend you exercise extreme care when transporting wind-resistant loads. Special consideration must be taken into account when cornering and braking.

Off-road use:

The Backbone Rack System may be used in off road applications, however a safety factor of 1.5 is enforced. That is, maximum permissible off road load is **66kg (145lbs)**. Although the crossbars are tested and approved to AS1235-2000/ 15011154, off-road conditions can be much more rigorous. Extreme care must be taken in off road conditions

Note for Dealers and Fitters:

It is your responsibility to ensure these fitting instructions are given to the end user or client.

Rhino-Rack 3 Pike Street, Rydalmere,

NSW 2116, Australia.

(Ph) (02) 9638 4744

(Fax) (02) 9638 4822

Document No: R804

Prepared By: W.Davis

Authorised By: Chris Murty

Fit Time: 1.5 hours

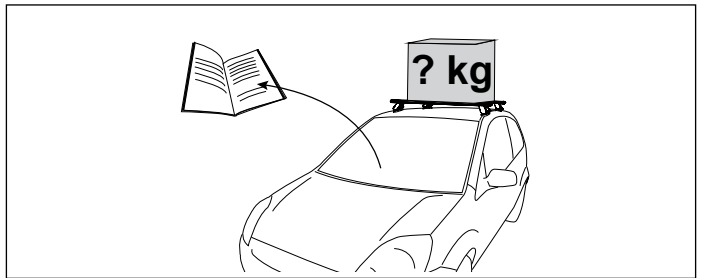
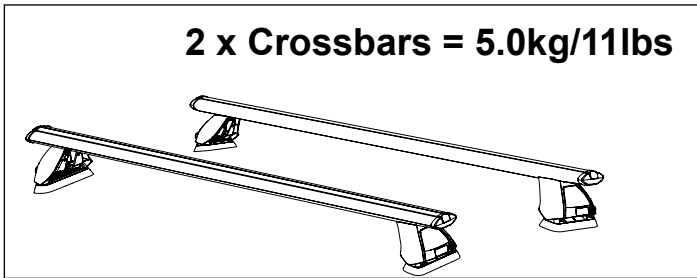
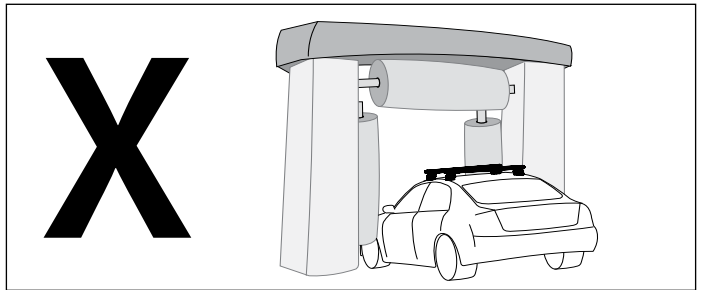
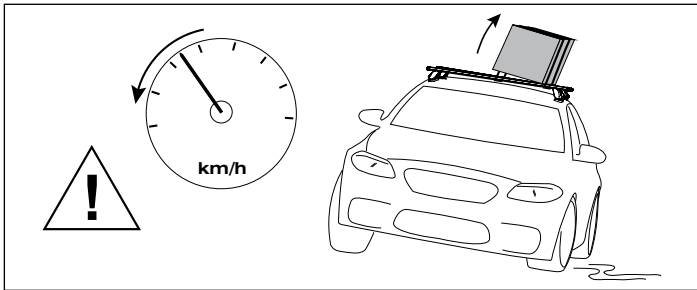
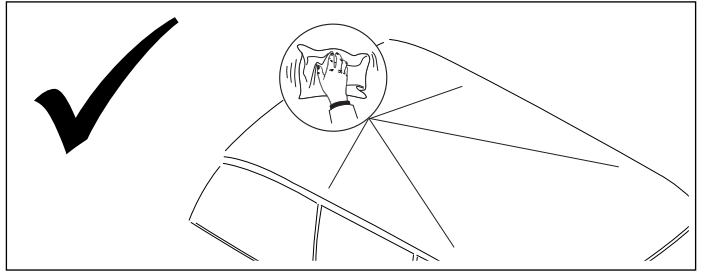
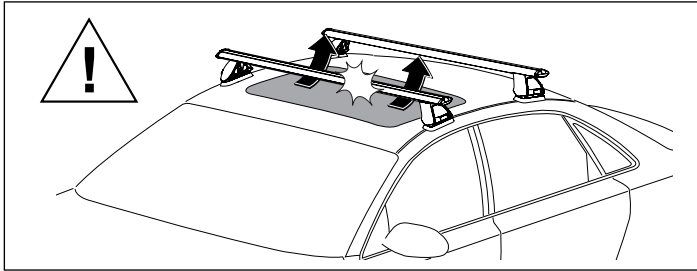
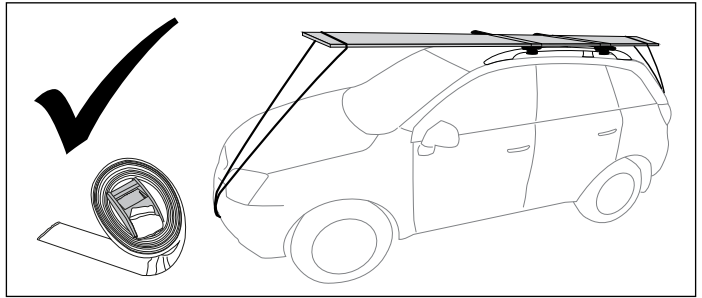
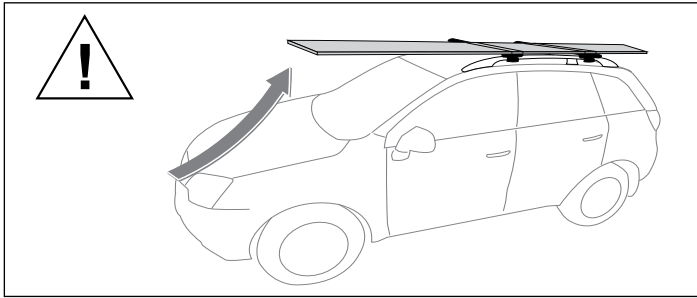
Issue No: 05

Issue Date: 21/11/2016

These instructions remain the property of Rhino-Rack Australia Pty. Ltd. and may not be used or changed for any other purpose than intended.

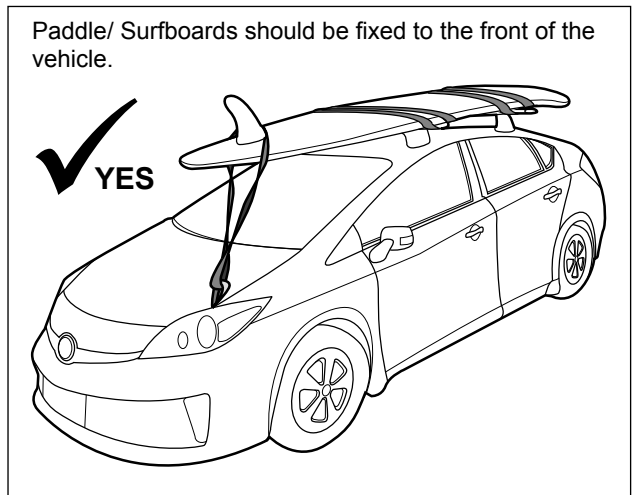
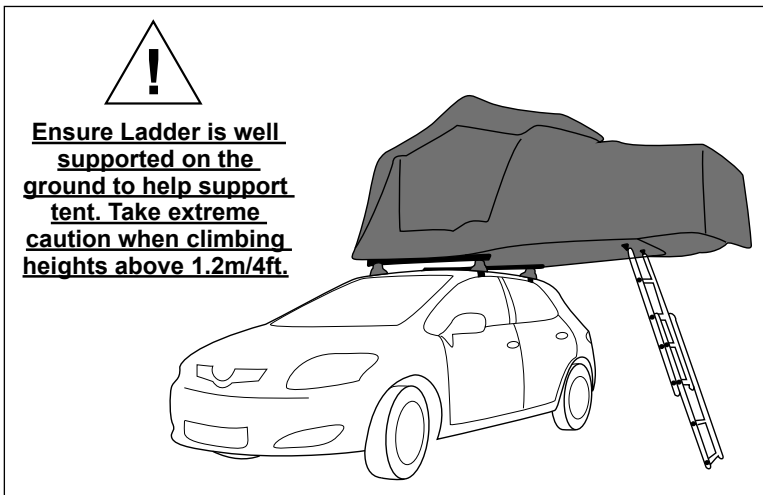


RVAB1



When these roof racks are to be used on a vehicle that is driven off sealed roads, the manufacturer maximum roof load rating (to be found in the vehicles User Manual) should be **divided by 1.5**. Do not forget to subtract the complete crossbar system weight from your maximum carrying capacity.

	100kg/220lbs (Urban Road)	=	66kg/145lbs (Off Road)	
--	-------------------------------------	---	----------------------------------	--

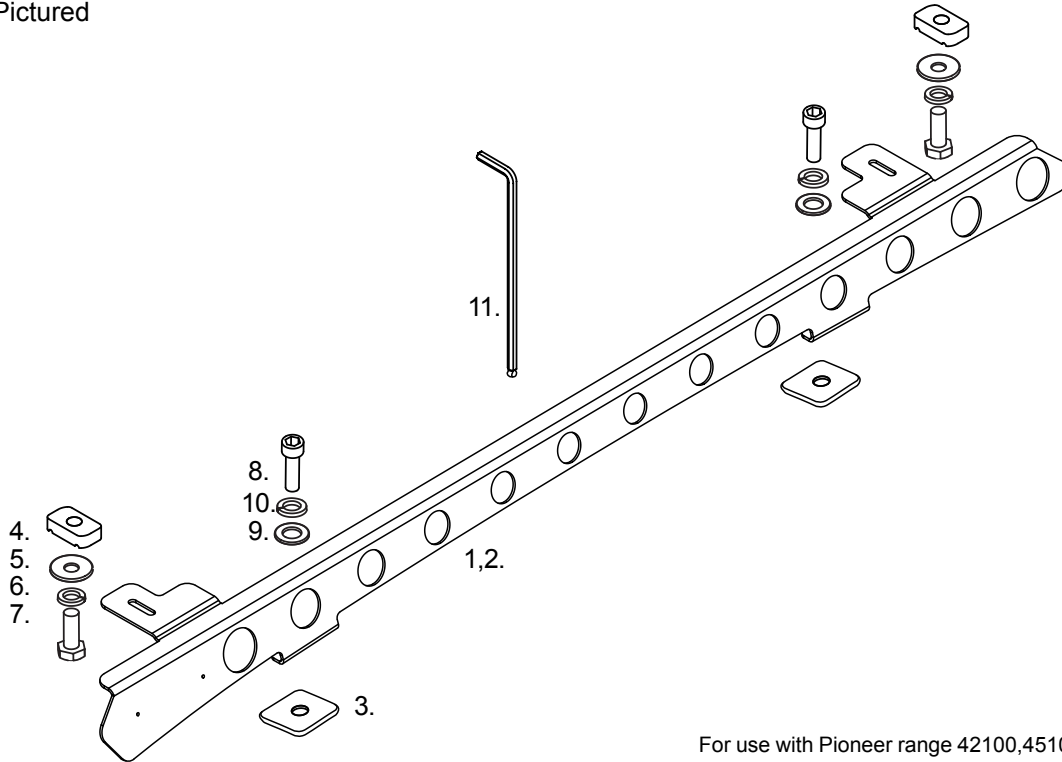




RVAB1

Parts List

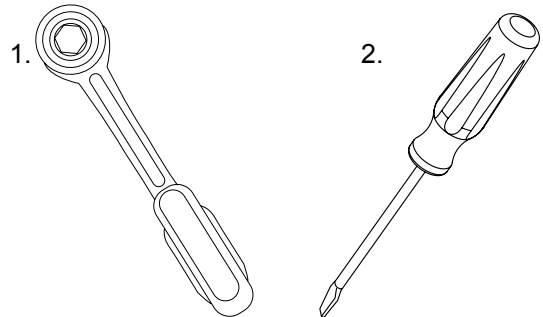
Left Side Pictured



For use with Pioneer range 42100,45100 ,42101 or 45101.
Pioneer range sold as separate.

Item	RVAB1 Kit	Qty	Part No.
1	VW Amarok Backbone Left Rail	1	CA1501
2	VW Amarok Backbone Right Rail	1	CA1502
3	Butyl Patch 20x20 M5 Hole	4	CA1266
4	M8 Channel Nut	4	N003
5	M8x19x2.5mm Flat Washer	4	W043
6	M8 Spring Washer	4	W019
7	M8x25 Hex Setscrew	4	B101
8	M6x16 Socket Head Screw	4	B031
9	M6x18x1.6mm Flat Washer	4	W031
10	M6 Spring Washer	4	W004
11	Ball End Allen Key	1	-
12	Instructions	1	R804

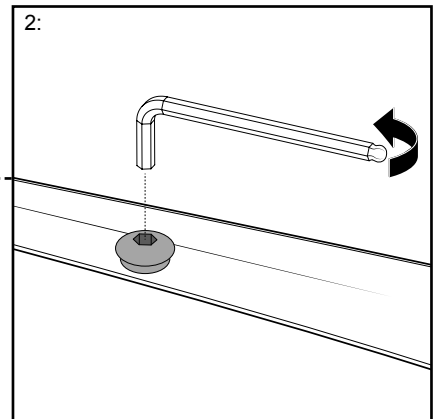
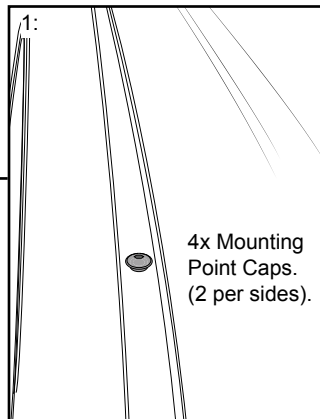
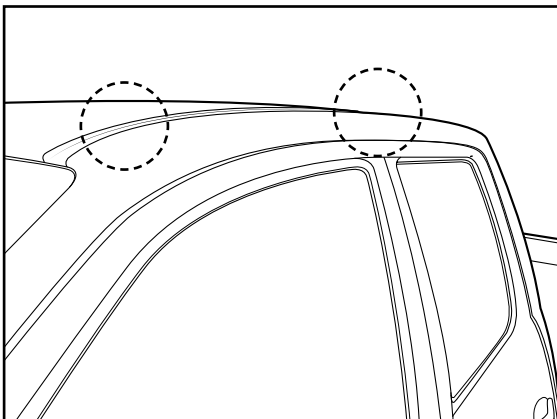
Tools Required:



1. Socket Wrench
2. Flat blade Screw Driver

VW Amarok with no Ditch Fill

Move to the roof of the vehicle. 1: If your car is not fitted with ditch fill, locate the 4x M6 Mounting Point Caps in the roof ditch. 2: Unscrew the 4x M6 Mounting Point Caps with a 5mm allen key. Clean roof ditch with a cloth. Move to step 3 pg 4.

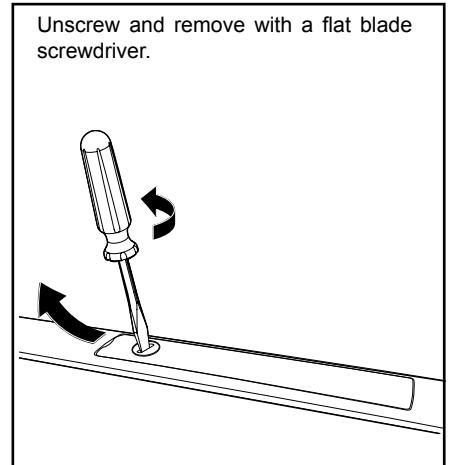
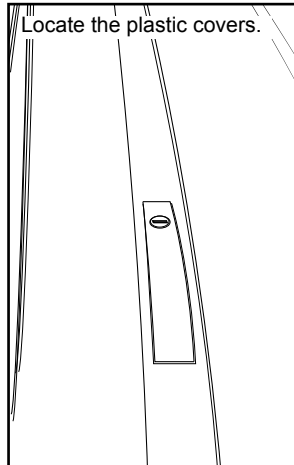
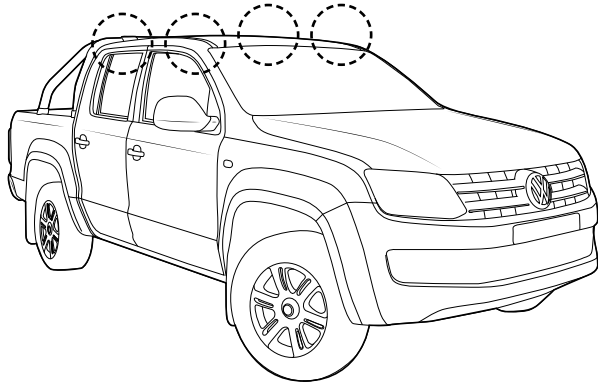




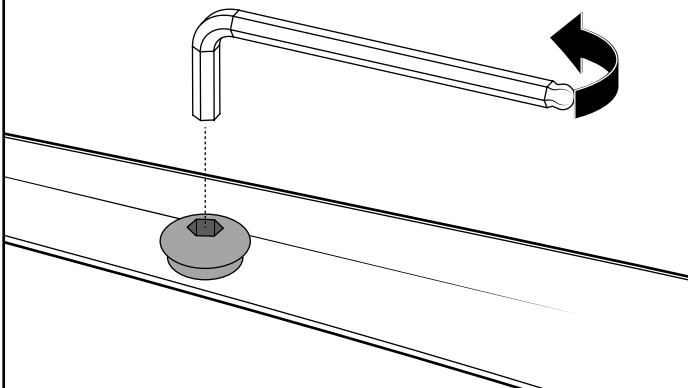
RVAB1

VW Amarok with Ditch Fill

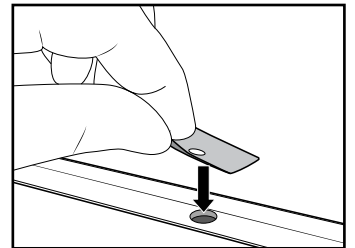
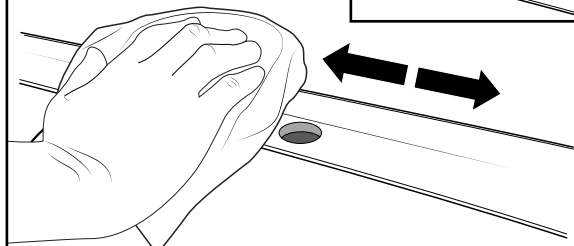
- 1** For models with ditch fill, locate the 4x M6 Mounting Point Caps, these will be covered with a plastic covers. Use a flat head screwdriver and unscrew the covers to remove them. This will expose the Mounting Point Caps below.



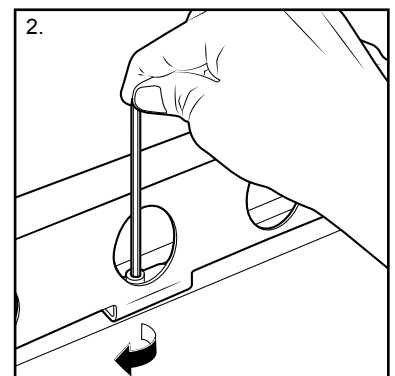
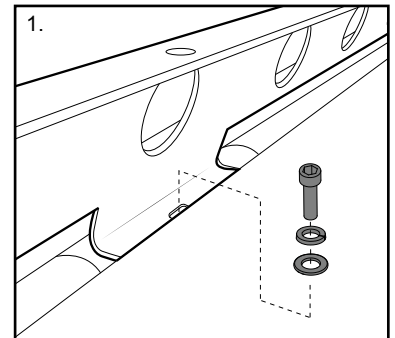
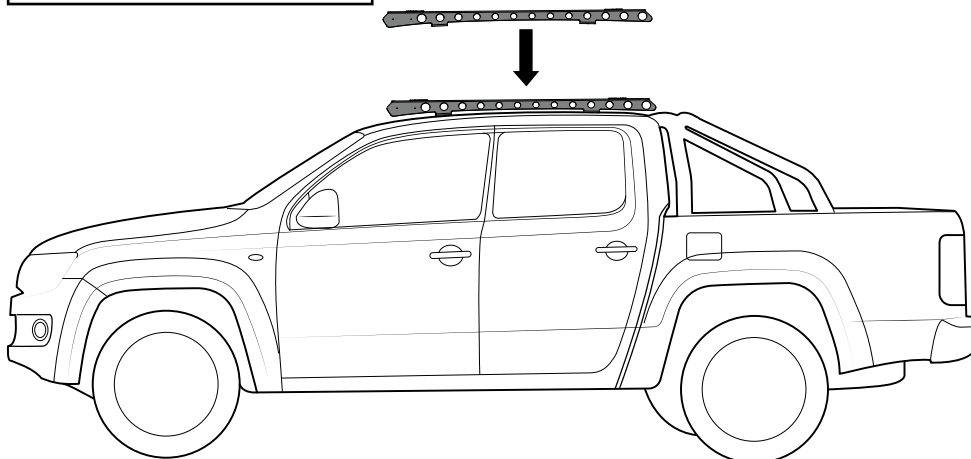
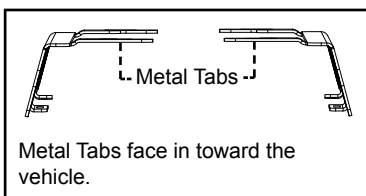
- 1** Using the Allen Key provided, remove all 4 Mounting Point Caps.



- 2** Clean the now exposed roof ditch with a clean cloth. Place Butyl Patches over threaded holes. This will provide a water tight seal.



- 3** Place the Backbone onto the vehicle. Be sure to use correct orientation. 1: Finger tighten in place with M6 Socket head Screws, M6 Spring and Flat Washers. 2: Tighten with Allen Key provided. The hardware can be accessed easily from the outside of vehicle as shown. Be sure all fixtures are secure.

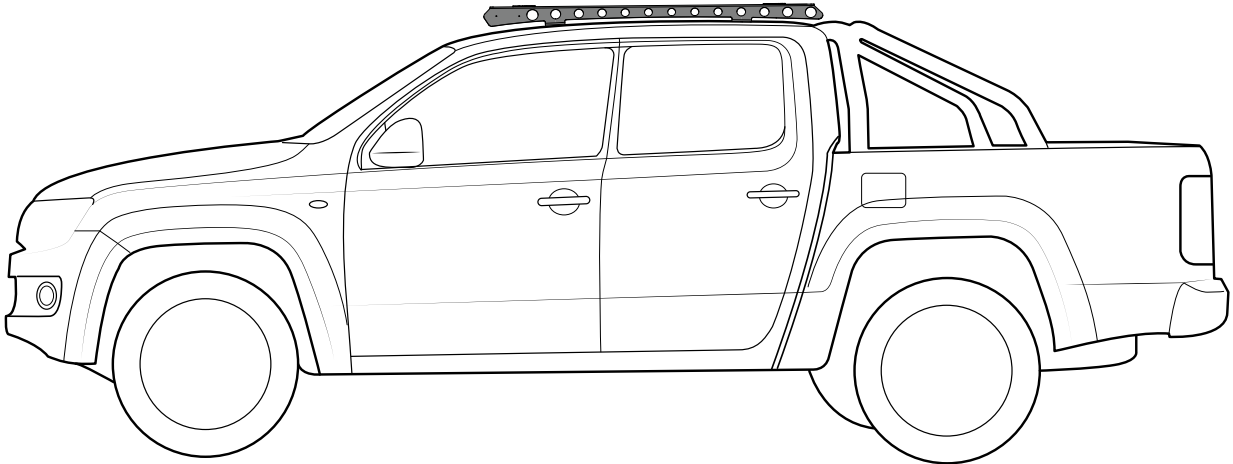




RVAB1

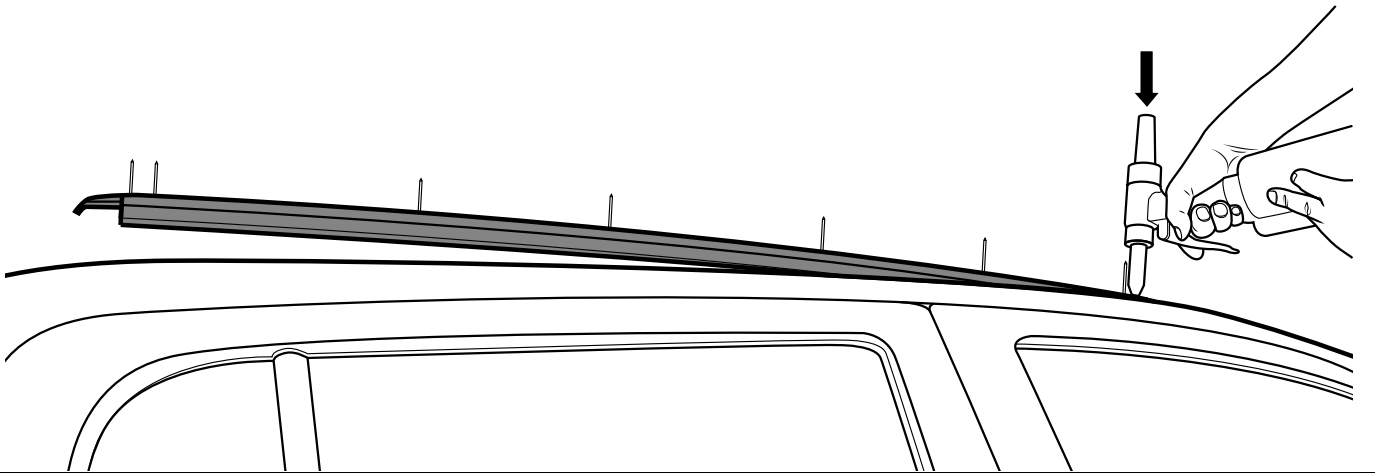
- 4** Repeat previous steps for securing opposite side Backbone rail.

Ensure both Assemblies are securely positioned on the car. Check each bolt before proceeding to attaching the Pioneer Platform to the Backbone.

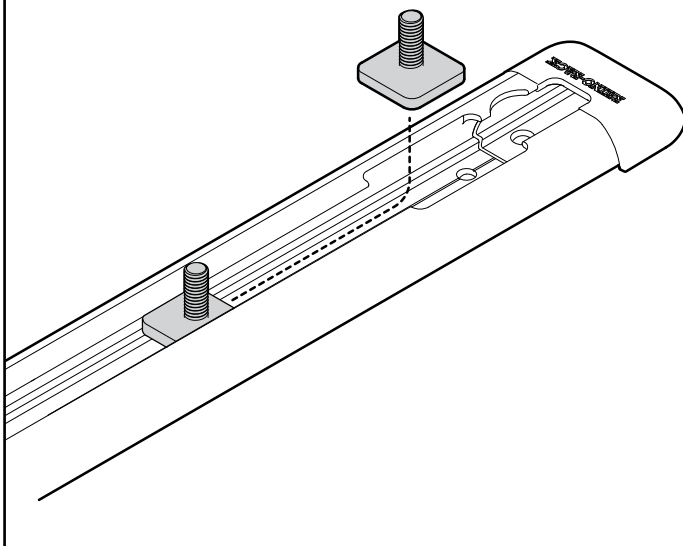


Toyota Hilux with RTS543

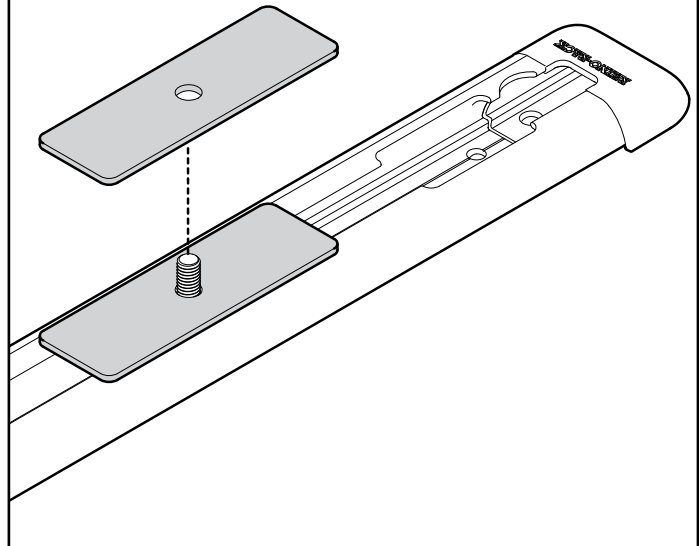
- 1** For fitment of RVAB1 to Toyota Hilux, the vehicle will need to be fitted with RTS543 prior to installing RVAB1. RVAB1 will not suit a Toyota Hilux without RTS543 and SUB0687



- 2** Place 2 x M6 T Bolts into each track - M6 T Bolts supplied in SUB0687



- 3** Place one track adaptor plate on top of each M6 T- Bolt

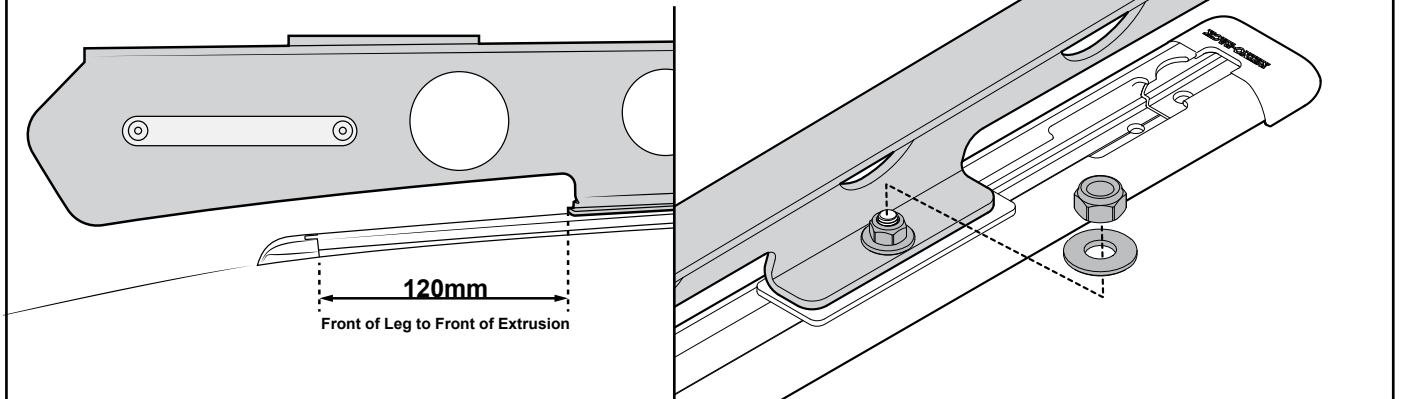




RVAB1

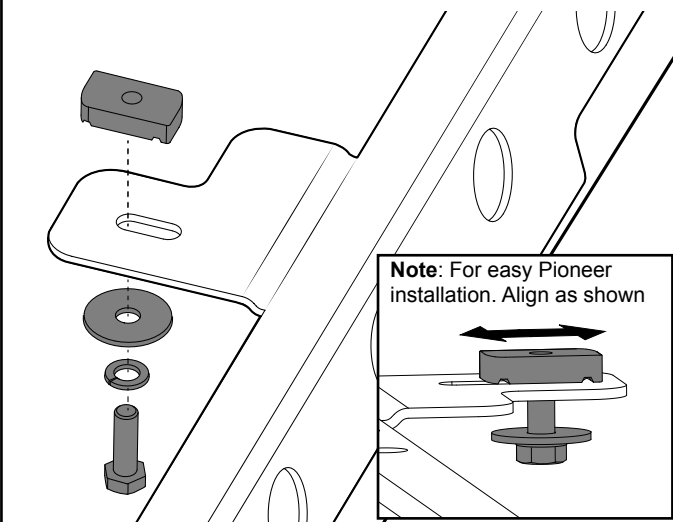
4 Place Backbone onto track adaptor plates and secure with M6 Flat washer and M6 Nyloc Nut.

Once Backbone is aligned - tighten with 10mm spanner



Fitting Pioneer to Backbone

1 Assemble M8 hardware as pictured below. Complete this for the six tabs on top of the backbone rails (2 each rail).

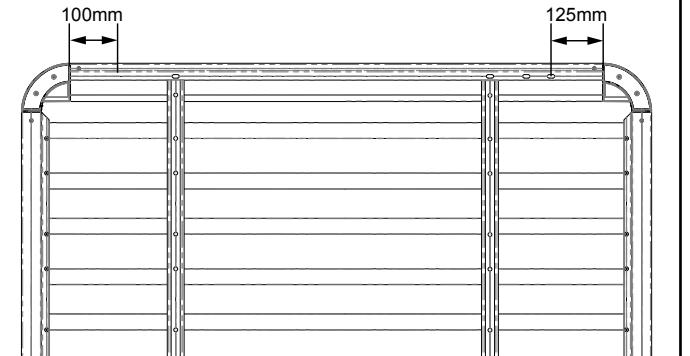


2 Install Pioneer Underbars with slots indicated (42100,45100, 42101 or 45101).

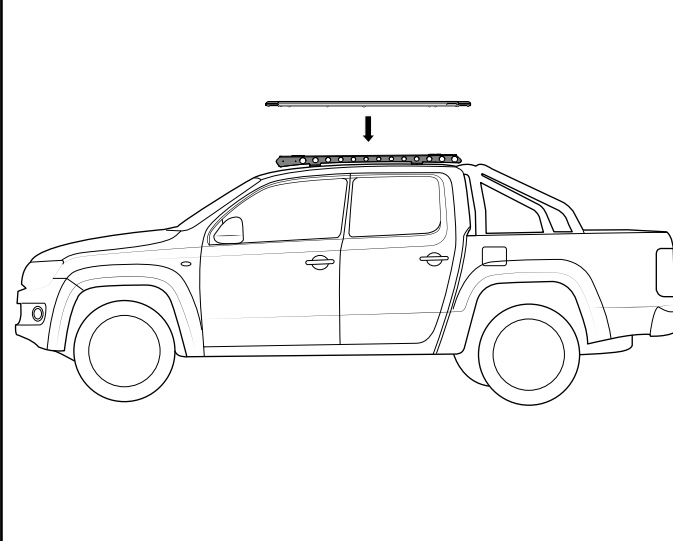
REAR: 125mm from Rear (using slots)

FRONT: 100mm from Front (drill)

The rear slot will have to be drilled with an 8.5mm drill bit. For detailed underbar installation instructions, refer to Pioneer fitting instructions.



3 After underbars have been correctly fitted, place the Pioneer Platform on top of the Backbone. Align the underbars with the top tabs and ensure the M8 hardware fits into underbar channel.



4 Once Pioneer Underbars have been aligned properly, tighten all M8 hardware using 13mm socket wrench or 13mm spanner. Ensure channel nut has rotated within Pioneer underbar and is fixing Pioneer securely.

