

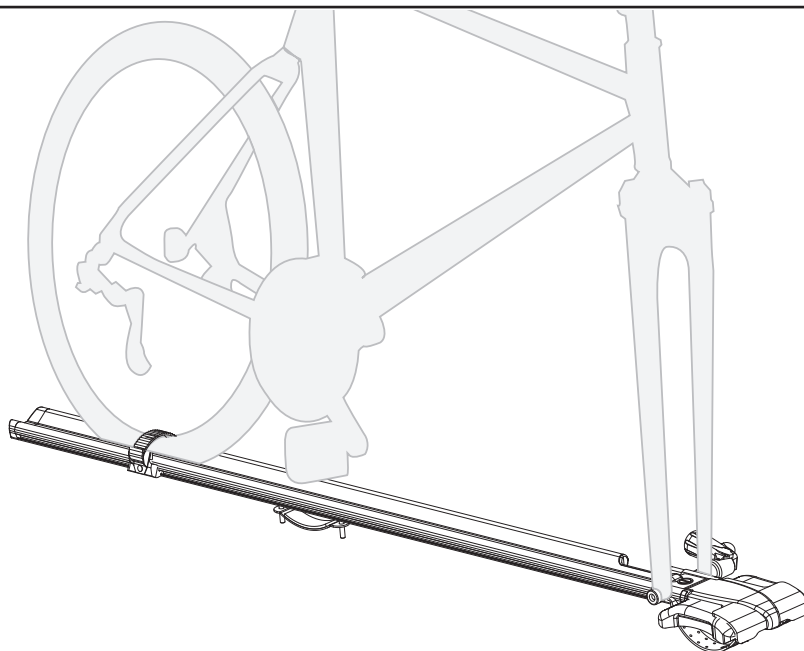


RHINO-RACK

Rhino-Rack Mountain Trail Bike Carrier (RBC035)

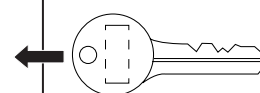
Important: Please read these instructions carefully prior to installation. Please refer to your fitting instruction to ensure that the bike rack is installed in the correct locations. Check the contents of kit before commencing fitment and report any discrepancies. Place these instructions in the vehicle's glove box after installation is complete.

Layout



**NOT RECOMMENDED
FOR OFF ROAD USE**

Record your key number here
for future reference, in case of
misplaced or lost keys



Important Information

Maximum carrying capacity:

15kg (33lbs). Load must be evenly distributed over the crossbars. Please refer to your vehicle manufacturers handbook for maximum carrying capacity. Always use the lower of the two figures. Load must be evenly distributed over the crossbars.

Locks are only a deterrent. Please exercise care when protecting your items from theft.

Recommendations:

All bolt connections must be checked after driving a short distance when you first install your roof racks. Bolt connections should be checked again at regular intervals (once a week is enough, depending on road conditions, usage, loads and distances travelled). You should also check the condition of your roof racks each time they are re-fitted. Always make sure to fasten your load securely. Please also ensure that all loads are evenly distributed and that the centre of gravity is kept as low as possible. Long loads (e.g. canoes and kayaks) must be secured front and rear with non-stretch fastening ropes or straps.

Roof racks must be removed when putting vehicle through an automatic car wash.

Caution: The handling characteristics of the vehicle changes when you transport a load on the roof. For safety reasons we recommend you exercise extreme care when transporting wind-resistant loads. Special consideration must be taken into account when cornering and braking. **Please remove bike rack when putting vehicle through an automatic car wash.**

Note for Dealers and Fitters

It is your responsibility to ensure this fitting instruction is given to the end user or client. Place these instructions in the vehicle's glove box after installation is complete.

Rhino-Rack
3 Pike Street, Rydalmere,
NSW 2116, Australia.
(Ph) (02) 9638 4744
(Fax) (02) 9638 4822

Document No: R143
Prepared By: Andy Wana
Authorised By: Chris Murty

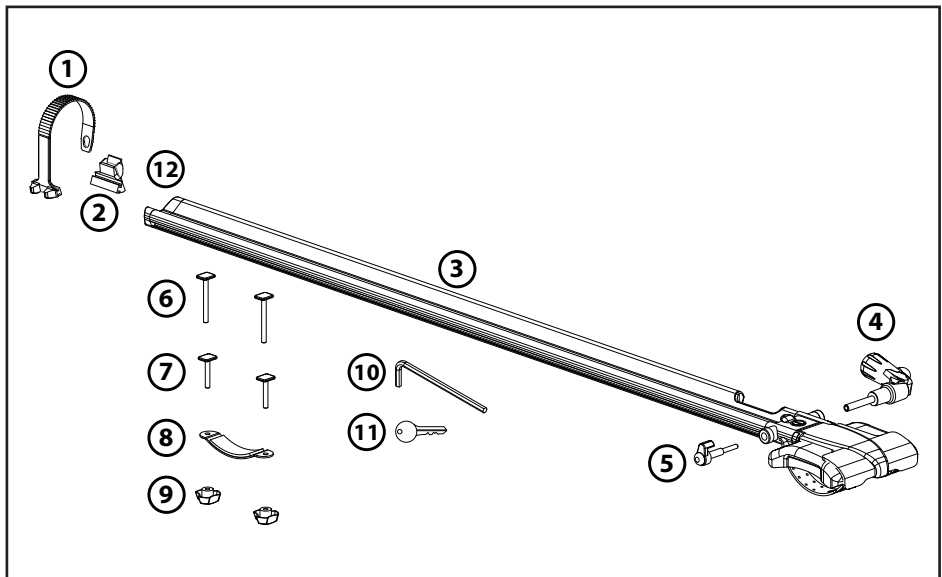
Issue No: 03
Issue Date: 27/02/2014

These instructions remain the property of Rhino-Rack Australia Pty Ltd and may not be used or changed for any other purpose than intended.

Rhino-Rack Mountain Trail Bike Carrier (RBC035)

Parts List

Item	Component Name	Qty
1	Bike Wheel Strap	1
2	Bike Wheel Ratchet	1
3	Wheel Tray Extrusion	2
4	Quick Release Skewer	1
5	Quick Release Fixed Stem	1
6	T-bolt (short) - 40mm	2
7	T-bolt (long) - 55mm	2
8	Saddle Bracket	1
9	M6 Dial	2
10	Allen Key	1
11	Key	2
12	End Cap	1
13	Fitting Instruction	1



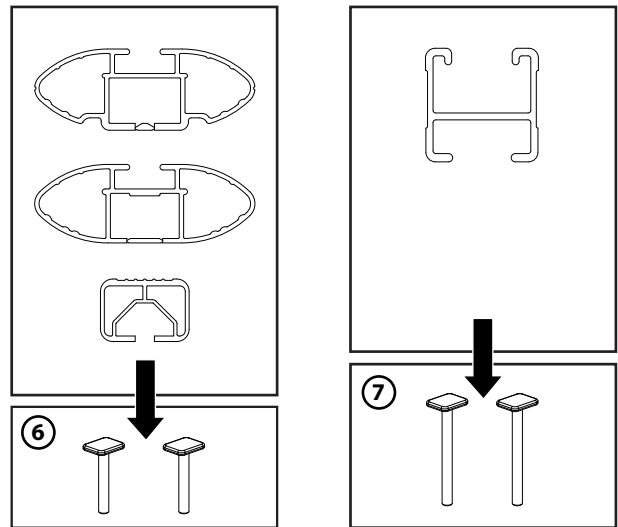
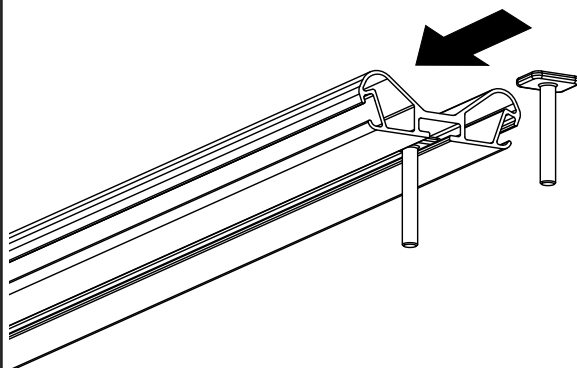
1

Insert T-bolts:

Slide two T-bolts into the slot on the bottom of the Wheel Tray. There are four carriage bolts in the hardware kit, the shorter ones fit up to 33mm tall crossbars (i.e. Aero / Sportz / Euro) whilst the taller ones fit up to 48mm tall crossbars (Heavy Duty). Slide the End Cap into the Wheel Tray Extrusion.

Maximum crossbar width permitted is 95mm.

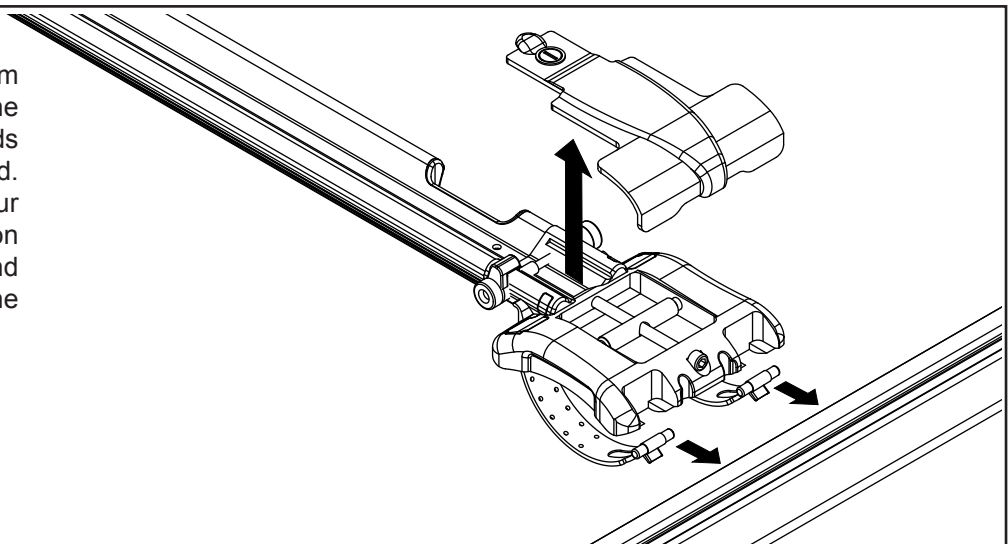
Min. distance between crossbars is 50cm / 20 inches and max. distance is 100cm / 40 inches



2

Attaching to crossbar:

Remove the cover plate from the head by pulling up on the tab, and unhook the T-ends of the straps from the head. Place the rack onto your crossbar with the T-bolts on either side of the rear bar and the T-end straps under the front crossbar.

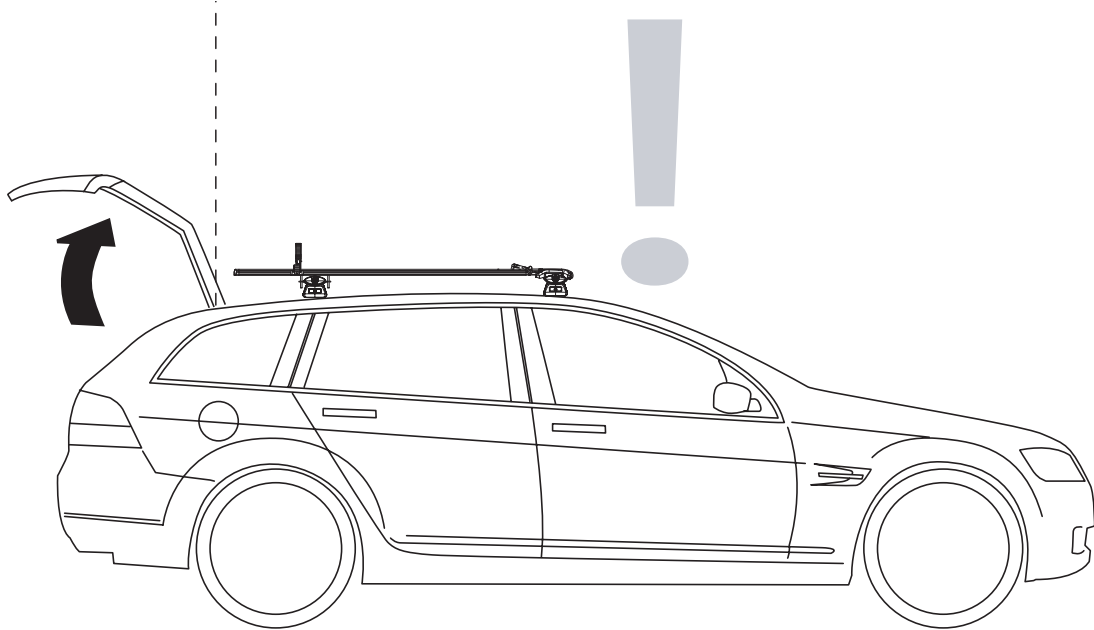


Rhino-Rack Mountain Trail Bike Carrier (RBC035)

3

Attaching to crossbar:

Open up and check the hatchback does not hit the end of the Wheel Tray.

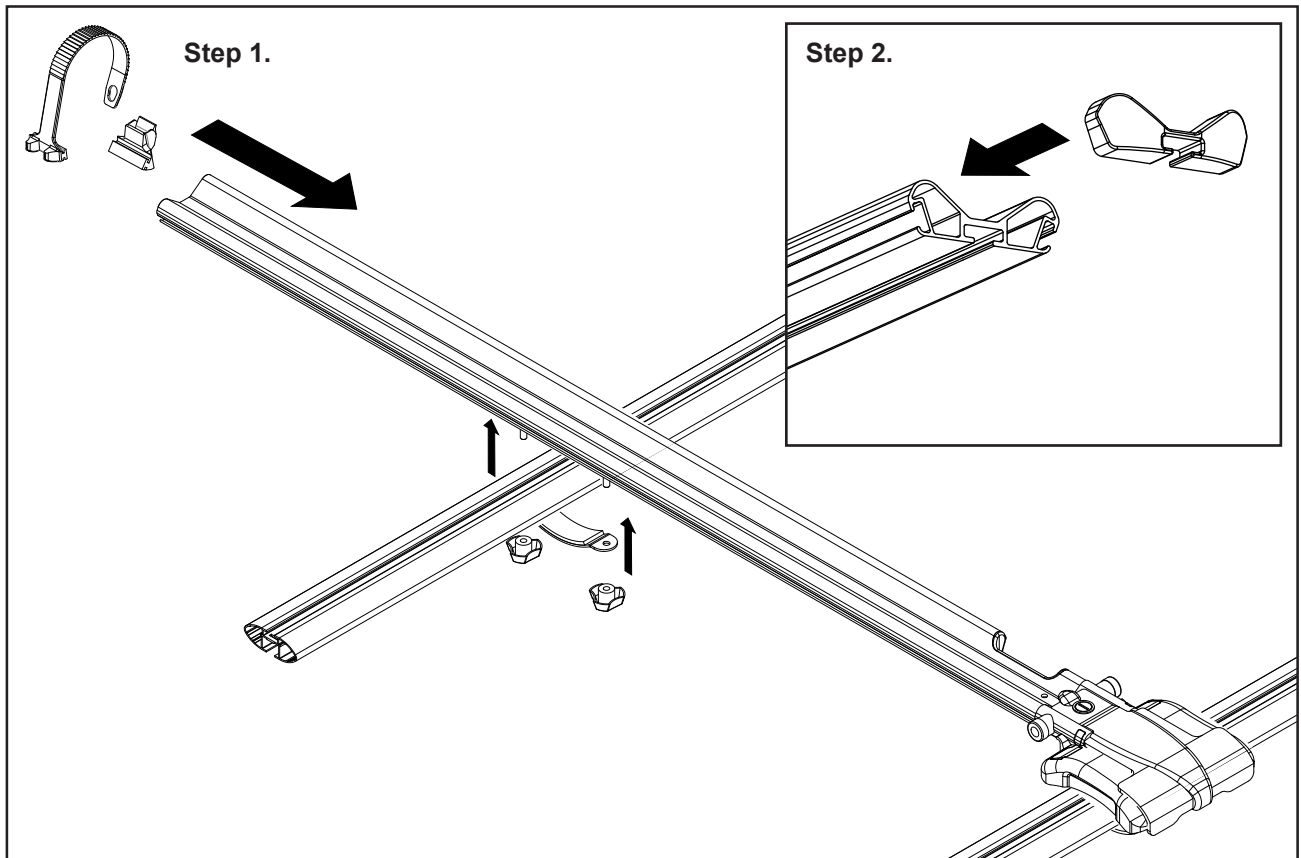


4

Attaching to crossbar:

Step 1: Hook both T-ends back into their fittings (if they do not reach, loosen the bolt) and tighten the bolt with the enclosed allen key. Line up the two Carriage Bolts and pass them through the holes in the black Steel Bracket. Underneath, thread the 2 M6 dials onto the bolts and tighten. Install the Wheel Strap into the slots on the side of the tray, buckle side facing out. If it is a snug fit, a rubber mallet can be used to tap it into position.

Step 2: Install End Cap.

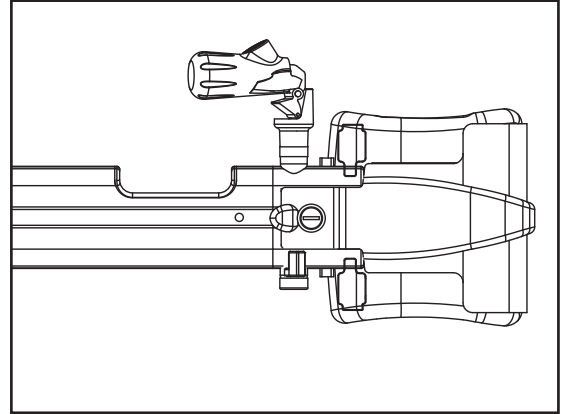
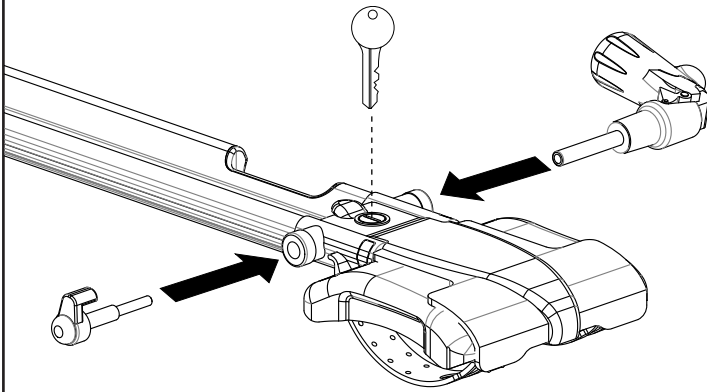


Rhino-Rack Mountain Trail Bike Carrier (RBC035)

5

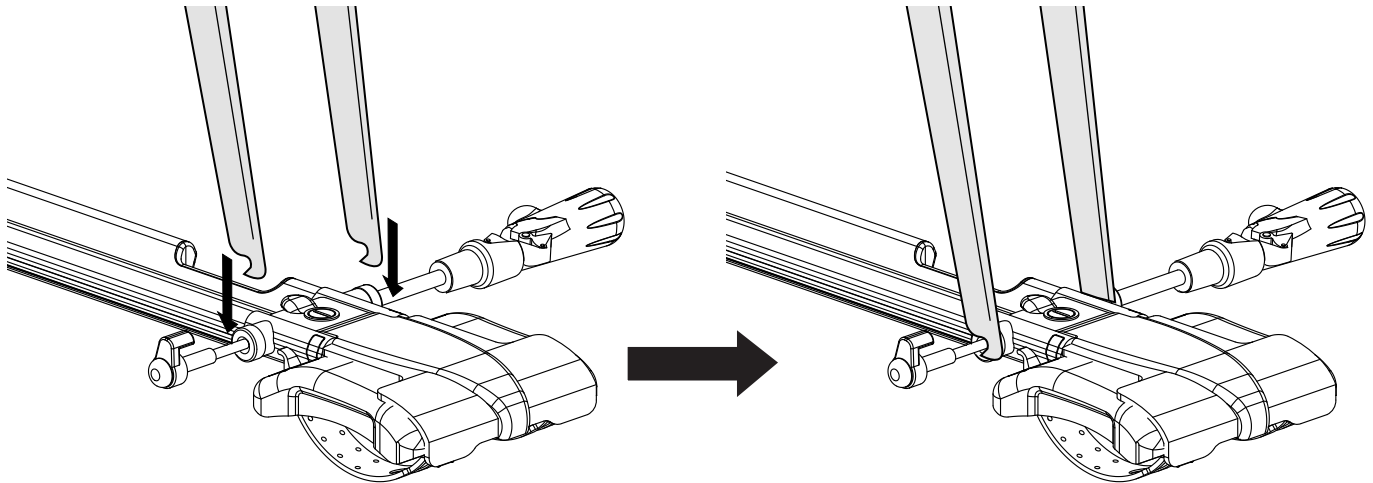
Loading a bicycle:

Unthread the Quick Release Skewer, and install into the head by threading together inside. Handle faces towards the outside of the car. Re-install the cover plate. If locks have been purchased or provided, the cover can now be locked.



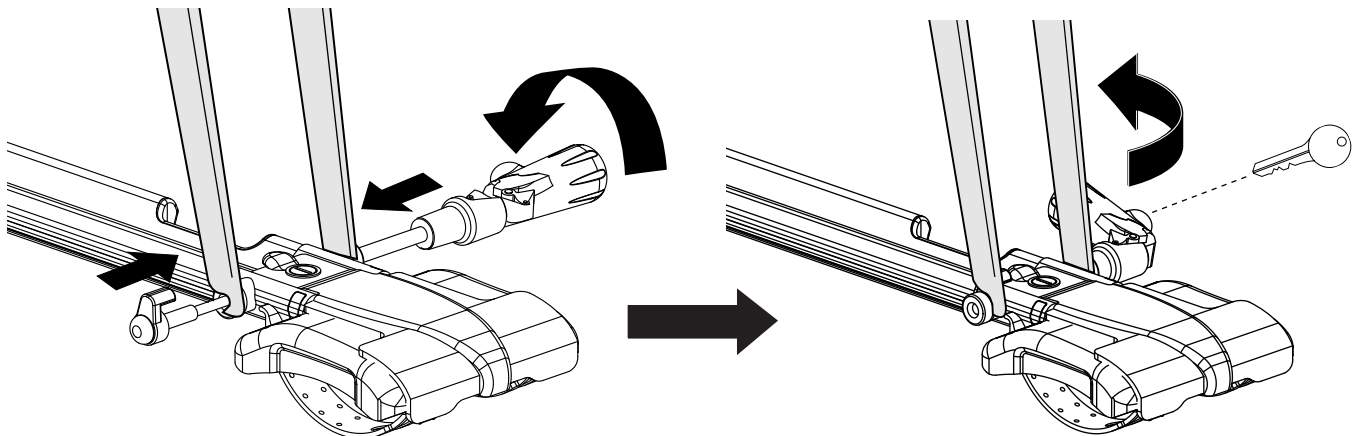
6

Open the handle of the quick release so the black handle is straight and the fixed end points down. Load the fork onto the quick release so both fork ends are resting straight on the quick release.



7

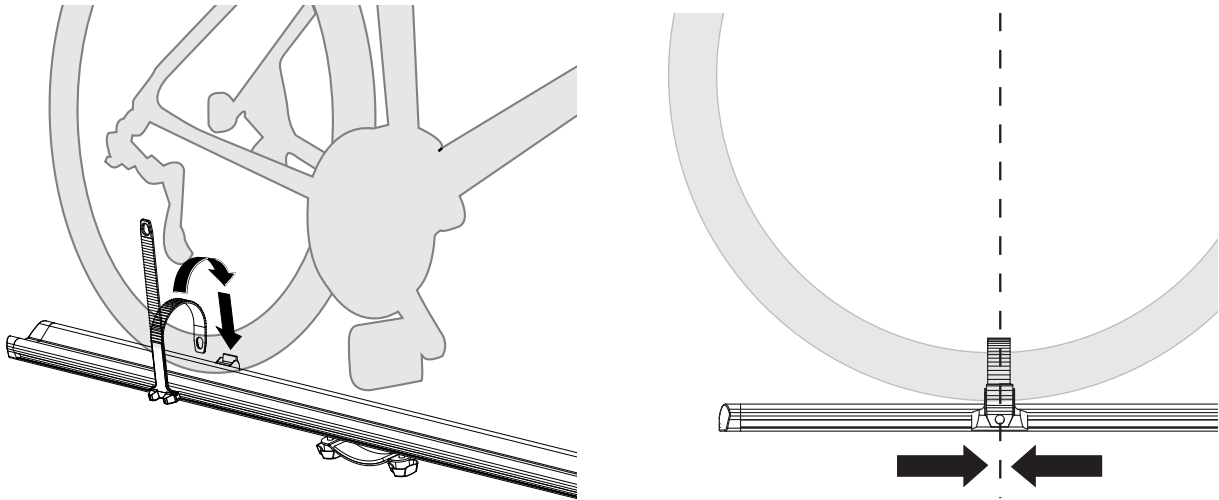
Twist handle clockwise to tighten the quick release skewer. Close the handle by flipping it 90 degrees to the closed position. If it is too loose, open the handle and turn it like a screwdriver (clockwise to tighten, counter clockwise to loosen), and close the handle again. Re-adjust until a firm and positive snap is felt when closed. If locks have been purchased or provided, the cover can now be locked.



Rhino-Rack Mountain Trail Bike Carrier (RBC035)

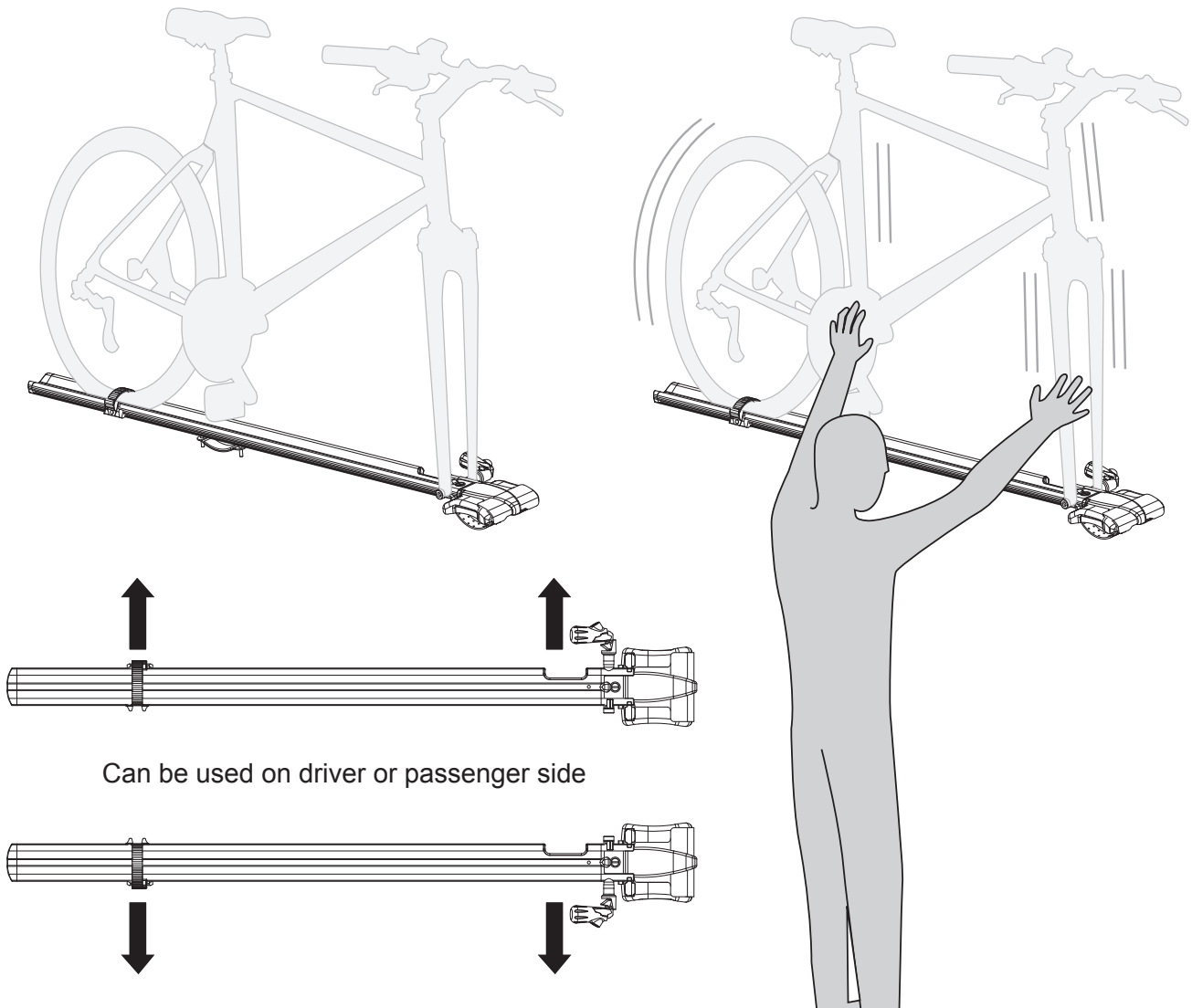
8

Fasten the Wheel Strap by looping the end through the wheel and into the buckle. Ensure that the strap is centre aligned with the centre of the wheel. Pull on the end until the strap firmly contacts the wheel.



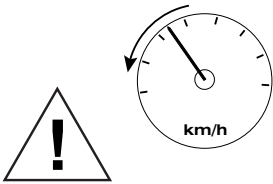
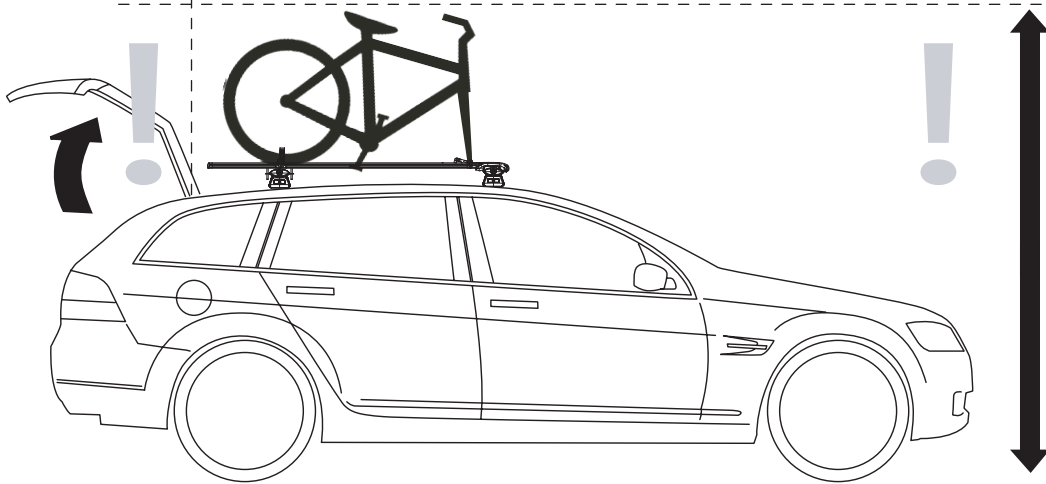
9

The Quick Release Skewer is not an on/off switch. You must close the handle with enough tension to hold the bicycle. Rock the bicycle side to side to ensure proper mounting. The fork should be properly seated and not move. If unsure, please consult your dealer or Rhino-Rack. Failure to comply could result in the bicycle detaching with subsequent damage to the bicycle, vehicle, or other motorist

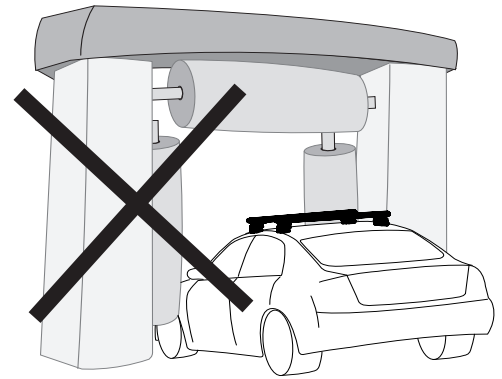
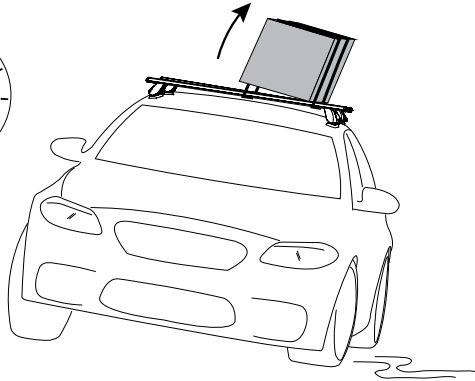


Rhino-Rack Mountain Trail Bike Carrier (RBC035)

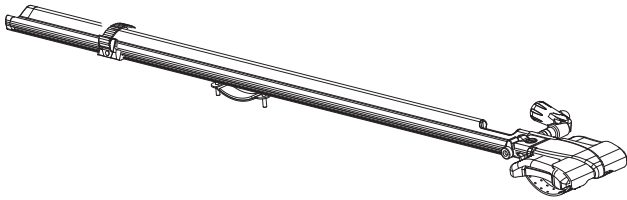
- 10** Ensure that the bike rack will not interfere with the opening of the rear hatch. Please note the extra height of the car with the bicycle and exercise necessary caution.



110km/h MAX.



2.5kg / 5.5 lbs



15kg / 33lbs MAX

